

SPECIFICATION

FOR

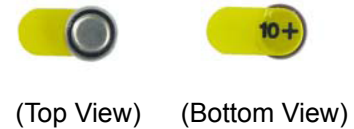
NEXcell ZINC AIR BATTERY CELL

CELL NUMBER : PR536 (A10)

SPECIFICATION :

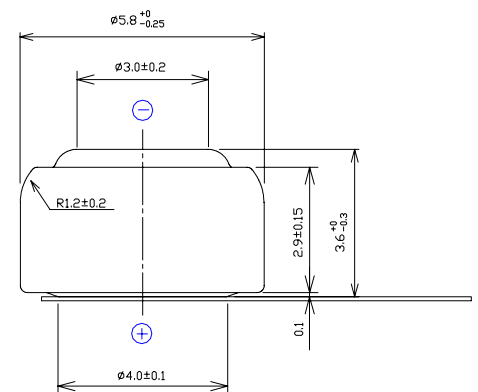
Cell Chemistry :	Zinc Air
Identification :	JIS-PR536
Nominal Voltage :	1.4 Volts
Tab Color :	Yellow
Typical Capacity :	100mAh (to 0.9 Volts)
	(at 3K Ω 20°C 60%RH)
Available Current :	3mA (at 1.1 Volts)
Capacity loss@20°C :	< 5% per year
Operation Temp. :	0°C to 50°C
Typical Weight :	0.3 grams
Typical Volume :	0.08 cubic centimeters
Impedance :	$\leq 8\Omega$ (at AC 1KHz)

Appearance :

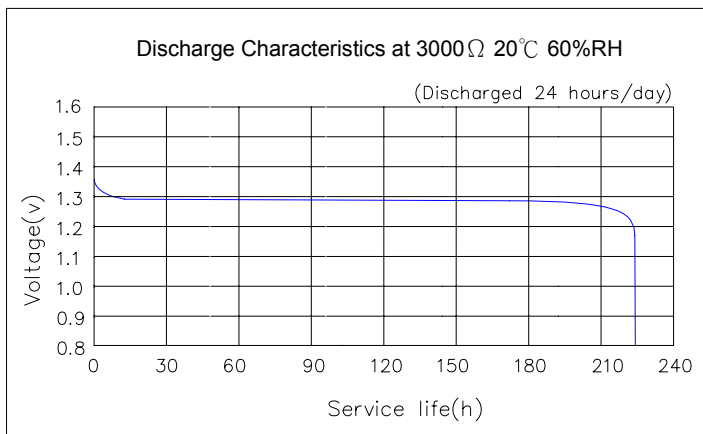
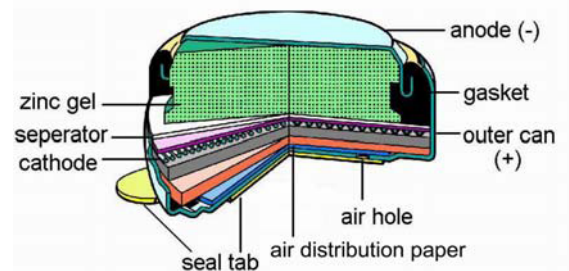


Dimensions :

unit:mm



Configuration :



<The specifications are subject to be modified without prior notice.>

NEXcell BATTERY CO., LTD.

Distributed by:

MICROBATTERY.COM

7350 NW 35th Terrace, Miami, Florida 33122

Customer Service: 1-866-999-2355 Phone: 1-305-371-9200 Fax: 1-305-371-9400

www.microbattery.com