

**SPECIFICATION**  
**FOR**  
**NEXcell ZINC AIR BATTERY CELL**  
**CELL NUMBER : PR48 (A13)**

**SPECIFICATION :**

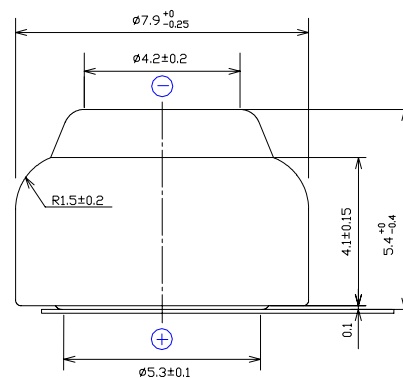
Cell Chemistry :	Zinc Air
Identification :	JIS-PR48
Nominal Voltage :	1.4 Volts
Tab Color :	Orange
Typical Capacity :	300mAh (to 0.9 Volts) (at 1.5KΩ 20°C 60%RH)
Available Current :	8mA (at 1.1 Volts)
Capacity loss@20°C :	< 5% per year
Operation Temp. :	0°C to 50°C
Typical Weight :	0.8 grams
Typical Volume :	0.25 cubic centimeters
Impedance :	≤ 4Ω(at AC 1KHz)

**Appearance :**

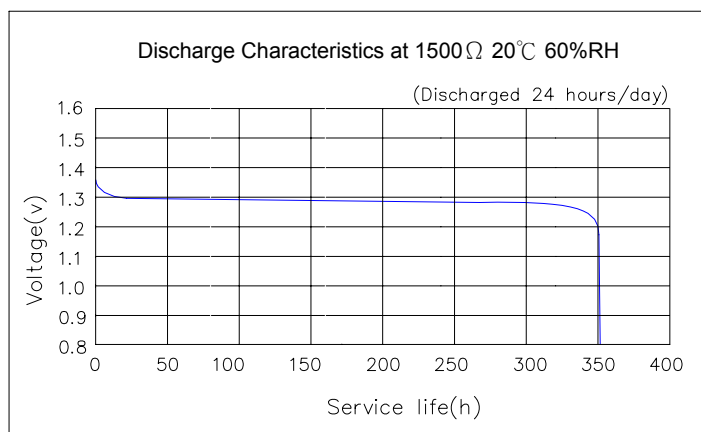
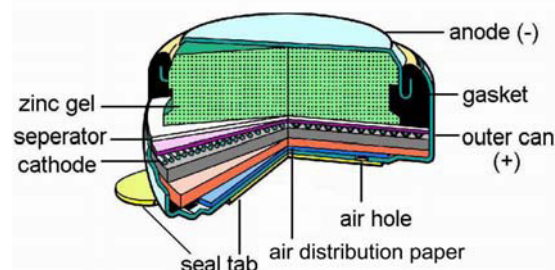


**Dimensions :**

unit:mm



**Configuration :**



<The specifications are subject to be modified without prior notice.>

**NEXcell BATTERY CO., LTD.**

Distributed by:

**MICROBATTERY.COM**

7350 NW 35th Terrace, Miami, Florida 33122

Customer Service: 1-866-999-2355 Phone: 1-305-371-9200 Fax: 1-305-371-9400

www.microbattery.com