

SPECIFICATION

FOR

NEXcell ZINC AIR BATTERY CELL

CELL NUMBER : PR44P (675P)

SPECIFICATION:

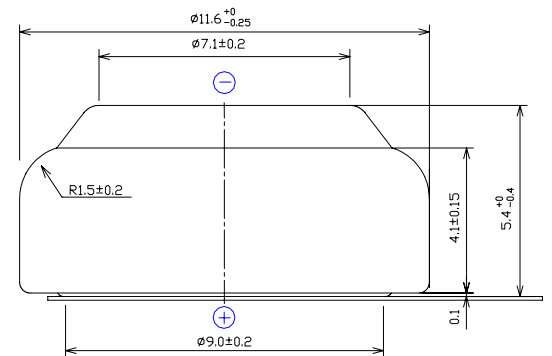
- | | |
|--------------------|---|
| Cell Chemistry : | Zinc Air |
| Identification : | JIS-PR44P |
| Nominal Voltage : | 1.4 Volts |
| Tab Color : | Blue |
| Typical Capacity : | 560mAh (to 0.9 Volts)
(At 620Ω 20°C 60%RH) |
- Available Current: 20mA (at 1.1 Volts)
30mA (pulse)
 - Capacity loss@20°C : < 10% per year
 - Operation Temp. : 0°C-50°C
 - Typical Weight: 1.6g
 - Typical Volume : 0.56 cubic centimeters
 - Impedance at 20°C : $\leq 5.0\Omega$ (AC 1kHz)

Appearance:

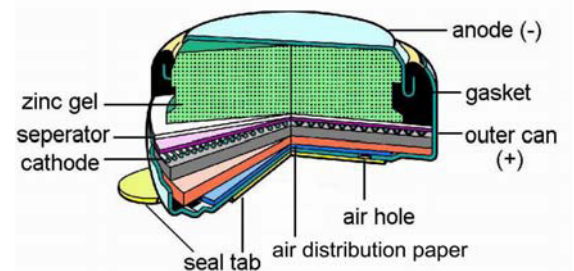


Dimensions

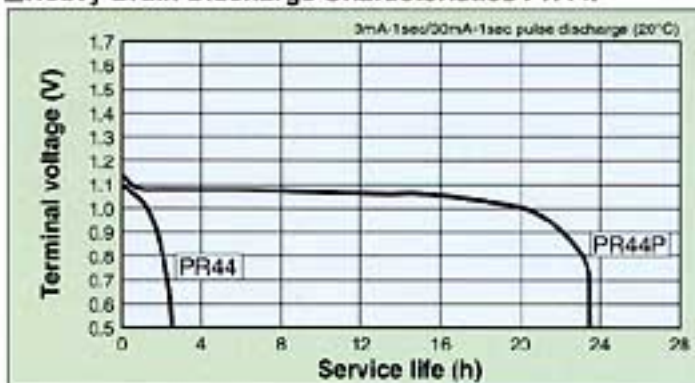
Unit: mm



Configuration :



Heavy Drain Discharge Characteristics PR44P



<The specifications are subject to be modified without prior notice.>

NEXcell BATTERY CO., LTD.

Distributed by:

MICROBATTERY.COM

7350 NW 35th Terrace, Miami, Florida 33122
 Customer Service: 1-866-999-2355 Phone: 1-305-371-9200 Fax: 1-305-371-9400
 www.microbattery.com